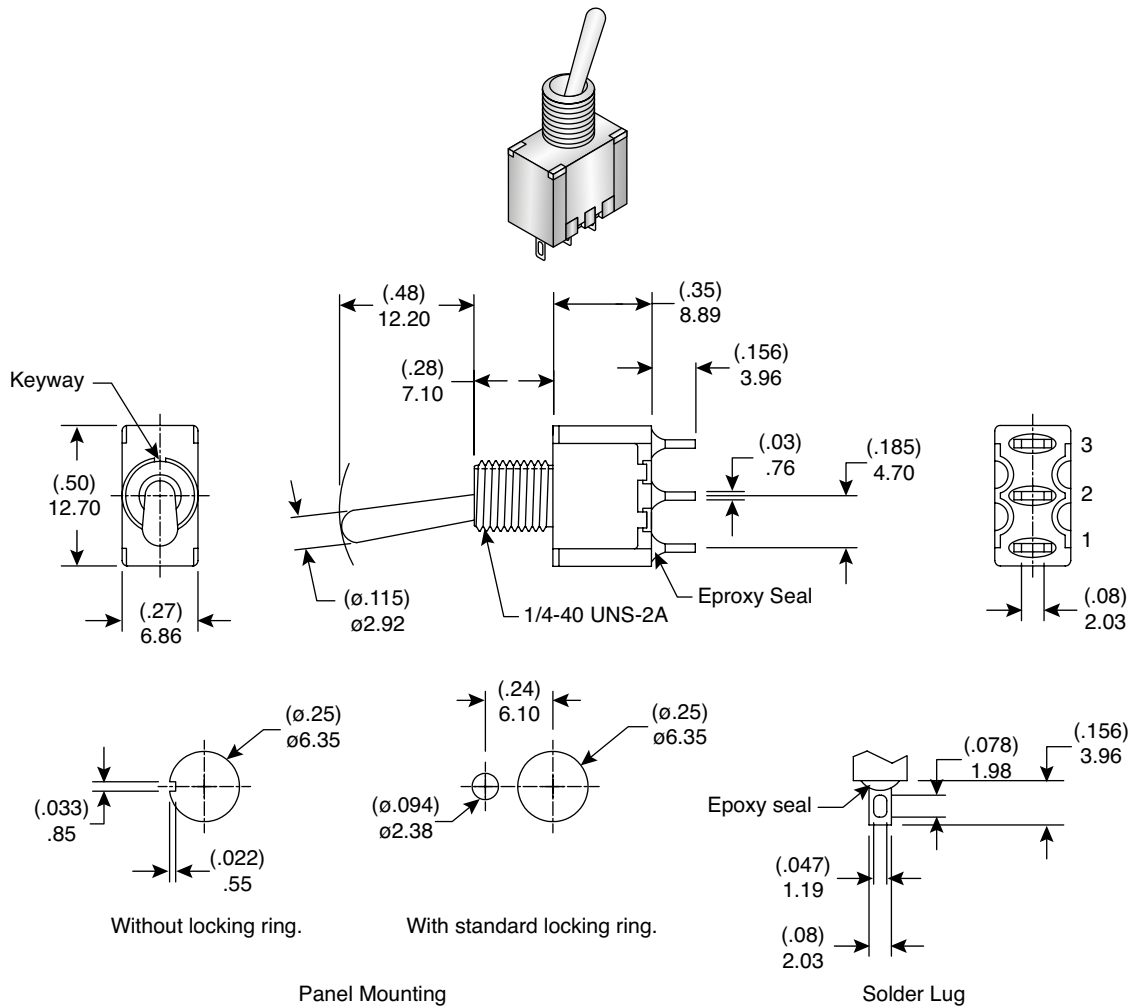


**DIMENSIONS: mm (in.)**



**Electrical Specifications:**

- Rating: 2A/250VAC, 5A/120VAC or 28VDC
- Contact Resistance: 10mΩ max. initial @ 2-4VDC 100mA
- Insulation Resistance: 1,000MΩ min.
- Dielectric Strength: 1,000 V RMS @ sea level

**Note:**

- RoHS Compliant by Exemption

**Mechanical Specifications:**

- Mechanical Life: 40,000 make-and-break cycles
- Operating Temperature: -30°C to 85°C
- Type: SPDT
- Circuit: On-On

**Miniature Toggle Switch**  
108-0009-EVX

